

Clip Chair

Designer

Sebastian Herkner

A handcrafted piece with beautiful detailing. It combines traditional craftsmanship with modern materials, making it a timeless piece with a variety of bespoke options.



DeVorm

Specifications

Frame

Ash

Caps and Clips

Vinyl

Seating – Standard option

Plywood, High Resilience Foam,

Fabric

Other

Felt gliders

Extra info

The Clip chair is a refined design with a distinctive feature: the idea behind the 'Clip' is the colouring of the attachment between the back and the legs of the chair, whereas the colour stands in direct contrast to the wooden elements. The charm and the beauty of the Clip lies hidden in its functional simplicity.

The Clip chair is made of steam-bent FSC ash. This old crafts technique of bending wood in steam is particularly eco-friendly. Additionally, the frame receives an eco-friendly finish.

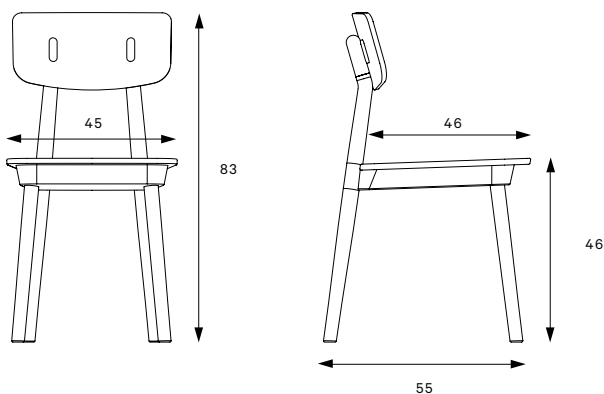
Bespoke options

Customize the colour of the frame or order a solid ash seat.

When ordering a minimum of 50 Clip Chairs of the same design it is possible to order the clip chair with a solid ash seat or customize the colour of the frame.



Measurements



Seat depth – 46 cm

Weight – 7,5 kg

Carton box – 71 x 52 x 102 cm; 0,38 m³

Packed per two chairs







Handcrafted

Steam bending

Sturdy and strong



DeVorm

We create interior products by today's standards.

De Vorm is established in a new era, we develop products by the standards of today. This means we produce efficiently, use the full lifecycle of products and eventually give them a new life.

Our emphasis lies on making a product that works, by setting a variety of conditions; it should be legible, accessible, but also environmental friendly and aesthetically perfectly in balance.

We like a product because of its functionality.

A good product makes life easier - it should be developed for helping us function better throughout the day. We firmly believe that the beauty of a design lies in the sum of functions that makes it a complete product.

We continuously raise the bar.

From the very first sketches we start combining and developing new techniques to find new possibilities to innovate. Our design process is infused with technical development; techniques result in aesthetic features and the other way round.

Industriestraat 9 A/B
6827 BD Arnhem
The Netherlands

T +31(0) 313 696 158
F +31(0) 313 696 159
E info@devorm.nl

devorm.nl