

# Nook

PET Felt Lounge Chair

Designer

Johan van Hengel

A comfortable lounge chair designed for hotel lobby's, break-out areas, residential projects or waiting areas.



DeVorm

## Specifications

Frame

Steel

Shell

PET Felt

Seating

High Resilience Foam,

Fabric

Other

Felt gliders

## Extra info

The shell of the Nook Lounge Chair is made of a felt material manufactured from recycled plastic bottles.

It is a soft, though strong felt material that is durable and has a great acoustic performance. PET Felt is both recycled as well as recyclable itself. The design of the Nook lounge chair allows a number of production steps to be reduced to one smart 3D pressing technique.

## Bespoke options

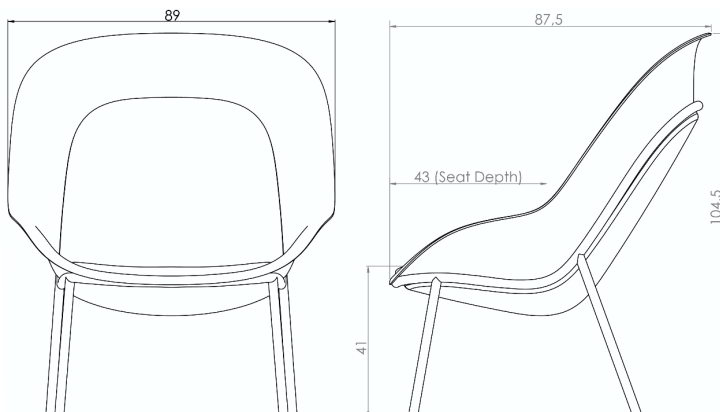
### Customize every element.

Our Nook Lounge Chair is designed to be fully customizable.

From its shell, the cushions and the frame - the options are there to make it blend in or stand out in any context.



## Measurements



Seat depth – 43 cm

Weight – approximately 12 kg

Carton box – 101 x 86 x 110 cm

Packed per one chair







---

Made of recycled plastic bottles

---

Highly customizable

---

Easy to clean

---

Eco label fabrics

---

Recycled and recyclable

---

Winner of the iF Design Awards 2017

---

# DeVorm

## We create interior products by today's standards.

De Vorm is established in a new era, we develop products by the standards of today. This means we produce efficiently, use the full lifecycle of products and eventually give them a new life.

Our emphasis lies on making a product that works, by setting a variety of conditions; it should be legible, accessible, but also environmental friendly and aesthetically perfectly in balance.

## We like a product because of its functionality.

A good product makes life easier - it should be developed for helping us function better throughout the day. We firmly believe that the beauty of a design lies in the sum of functions that makes it a complete product.

## We continuously raise the bar.

From the very first sketches we start combining and developing new techniques to find new possibilities to innovate. Our design process is infused with technical development; techniques result in aesthetic features and the other way round.

Leemansweg 45  
6827 BX Arnhem  
The Netherlands

T +31(0) 268 200 360  
F +31(0) 313 696 159  
E [info@devorm.nl](mailto:info@devorm.nl)

[devorm.nl](http://devorm.nl)