

Pod

Designer

Benjamin Hubert

A privacy chair for breakout areas in offices or residential projects. PET Felt has its own characteristic aesthetic as well as sound dampening properties to increase the sensation of privacy within large or crowded spaces.



DeVorm

Specifications

Frame
Solid ash

Standard colour options frame
Clear, Black, Grey

Shell
PET Felt

Colour options PET shell
Dark Grey, Light Grey

Cushions
Upholstered



Ingredients

PET Felt shell

Steam bended ash frame

Powder coated electro galvanised steel

High Resilience Foam

Fabric

Felt gliders

PET Technology

The shell of the Pod is made out of recycled PET bottles and is the largest form ever produced utilizing this special PET Felt technology. Thanks to this technique, the shell allows a distinctive aesthetic as well as offering sound dampening properties to increase the sensation of privacy.

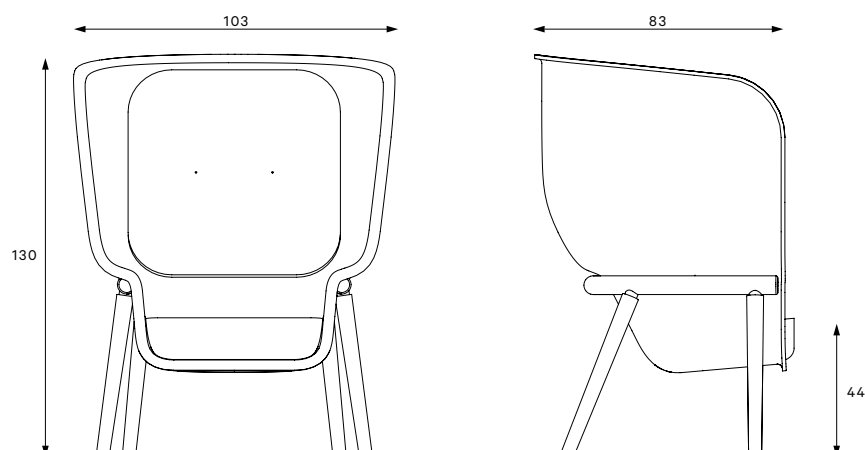


Bespoke option

Customize the frame colour

When ordering a minimum of 5 Pods in the same design, the colour of the frame can be customized.

Measurements



Seat depth – 50 cm

Weight – 13 kg

Carton box – 105 x 85 x 135 cm; 1,2 m³







Acoustic performance

Made out of recycled and recyclable PET Felt

Minimal environmental impact

Easy and smart transport



DeVorm

We create interior products by today's standards.

De Vorm is established in a new era, we develop products by the standards of today. This means we produce efficiently, use the full lifecycle of products and eventually give them a new life.

Our emphasis lies on making a product that works, by setting a variety of conditions; it should be legible, accessible, but also environmental friendly and aesthetically perfectly in balance.

We like a product because of its functionality.

A good product makes life easier - it should be developed for helping us function better throughout the day. We firmly believe that the beauty of a design lies in the sum of functions that makes it a complete product.

We continuously raise the bar.

From the very first sketches we start combining and developing new techniques to find new possibilities to innovate. Our design process is infused with technical development; techniques result in aesthetic features and the other way round.

Industriestraat 9 A/B
6827 BD Arnhem
The Netherlands

T +31(0) 313 696 158
F +31(0) 313 696 159
E info@devorm.nl

devorm.nl